

ORIGAMI FREESTANDING DESIGN SERIES

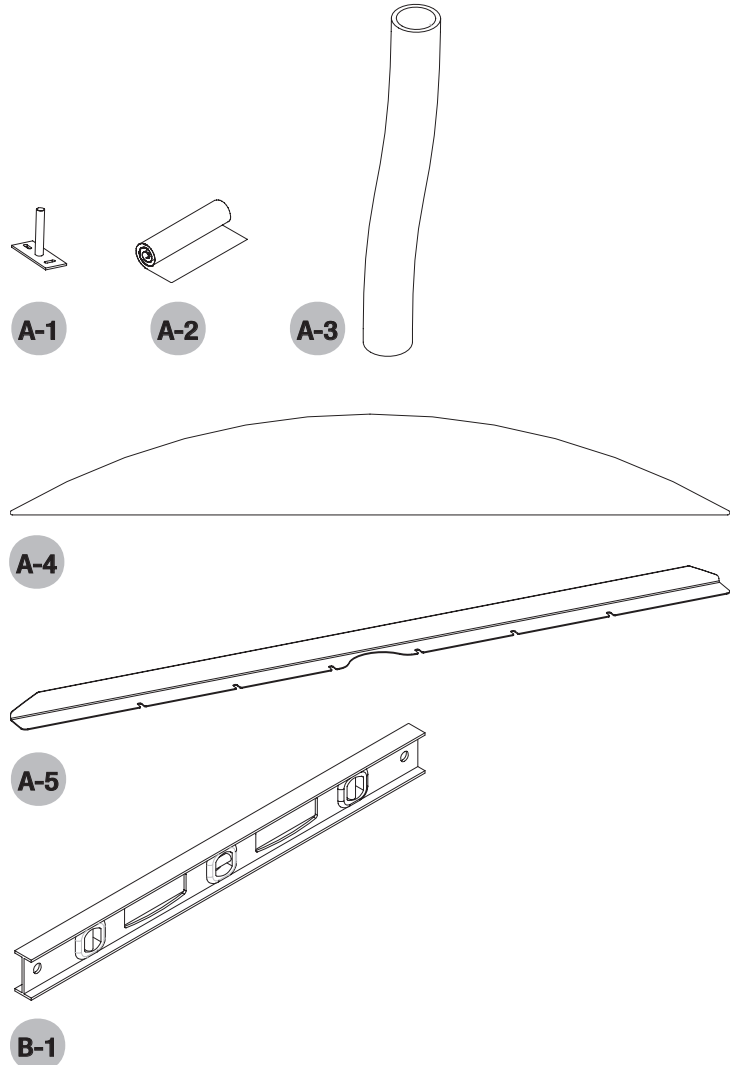
PARTS AND TOOLS

A. PARTS INCLUDED

A-1	Anchor points
A-2	Installation template
A-3	Flexible 1 1/2" pipe for overflow
A-4	Access panel
A-5	Access panel hinge

B. TOOLS REQUIRED

B-1	48-inch level
------------	---------------



ORIGAMI FREESTANDING DESIGN SERIES

SITE PREPARATION

The Origami Freestanding Design Series requires a 12" x 10" (30 cm X 25 cm) compartment for the drain, distance air inlet and, if applicable, space for control cables and options. Refer to the installation template.

ACCESS AND AIR INLET

For this model, the turbine is not installed on the bathtub. Determine a location near the bathtub at a maximum distance of 15 feet or (4.6 metres) under the floor, in a cabinet or any other location to conceal the turbine and optional accessory casings, if applicable. The location chosen must also be accessible and allow sufficient air intake for the turbine. (Refer to the **TURBINE – DISTANCE INSTALLATION** section).

ORIGAMI FREESTANDING DESIGN SERIES

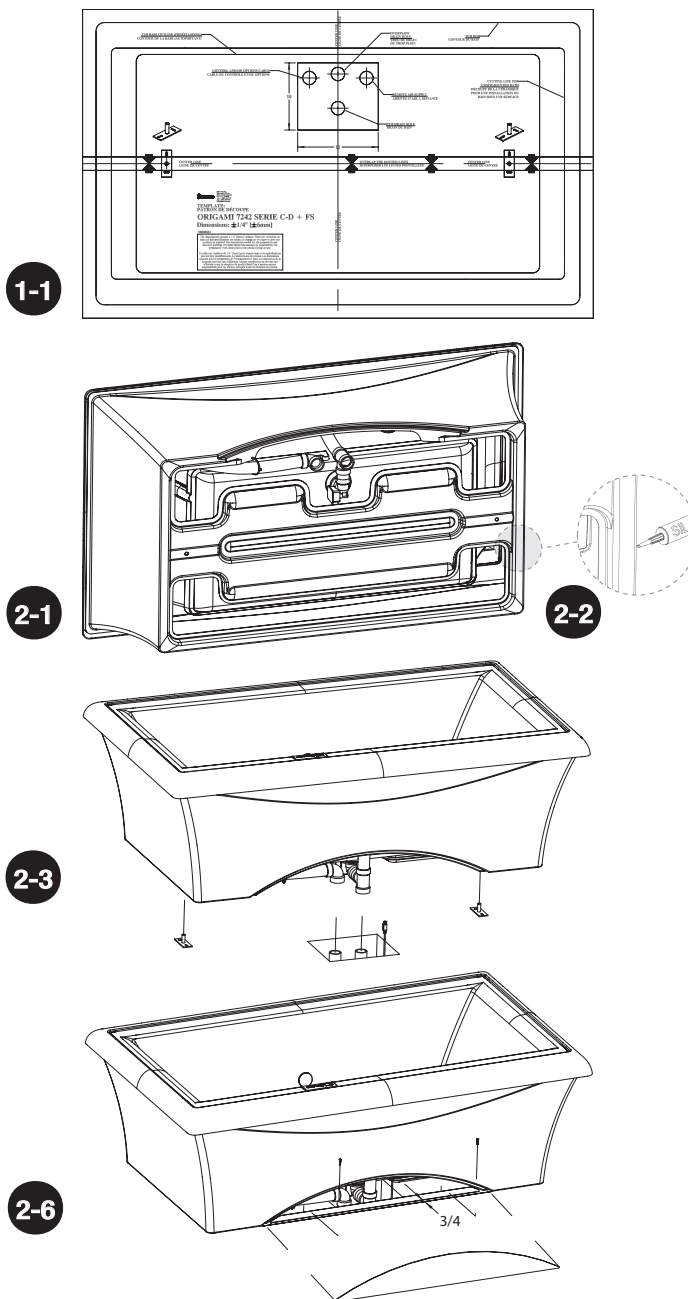
INSTALLATION

1. LOCATION

1-1	Once the compartment around the drain is completed in the floor, place the installation template on the ground at the chosen location.
1-2	Align the position of the overflow drain with the floor drain and ensure that the compartment size corresponds to requirements.
1-3	Mark the location of the anchor point screws.
1-4	Remove the installation template and screw in the anchor points in the marked locations.

2. INSTALLATION

2-1	Assemble the drain on the bathtub. Use the flexible 1 1/2" pipe provided for the junction between the overflow and the T-joint. Ensure watertightness. This operation is much easier to complete when the bathtub rests on its side. Place a cover or protective cardboard on the floor before positioning the bathtub on its side.
2-2	Apply a joint of silicone under the edge of the base of the bathtub.
2-3	Install the bathtub on the anchor points fastened to the floor and immediately wipe away any excess silicone. Connect the drain.
2-4	Install the turbine according to the instructions in the TURBINE – DISTANCE INSTALLATION section of the manual. The air inlet is located to the left of the bathtub drain and, if applicable, control and option connection cables to the right. Connect control and option cables if applicable.
2-5	Use a level or ruler to draw a line on the floor between contact points between the access panel arch and the base of the bathtub.
2-6	Position the metal access panel hinge 3/4 of an inch behind the line drawn in Step 2-5.
2-7	Screw the hinge in place on the floor using the slots provided. Install panel.



NOTE: To install the Origami Freestanding Design Series on a concrete slab with no place for the passage of the air inlet pipe to the bathtub: drill a hole 1 5/8 inches in diameter in the skirt. **IMPORTANT:** drill the hole 1 1/2 inches above floor level and protect the bathtub with a piece of wood placed behind the location to be drilled.

If a control or options are installed on the bathtub, a second pipe may be required through which to feed the cables.